

54153/DM54153/DM74153 Dual 4-Line to 1-Line Data Selectors/Multiplexers

General Description

Each of these data selectors/multiplexers contains inverters and drivers to supply fully complementary, on-chip, binary decoding data selection to the AND-OR-invert gates. Separate strobe inputs are provided for each of the two four-line sections.

Features

Permits multiplexing from N lines to 1 line
 Performs parallel-to-serial conversion
 Strobe (enable) line provided for cascading (N lines to n lines)
 High fan-out, low-impedance, totem-pole outputs

Typical average propagation delay times

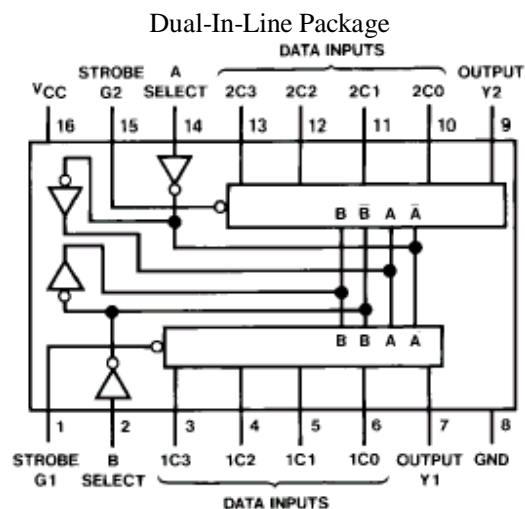
From data 11 ns From strobe 18 ns From select 20 ns

Typical power dissipation 170 mW

Alternate Military/Aerospace device (54153) is available.

Contact a National Semiconductor Sales Office/ Distributor for specifications.

Connection Diagram



Function Table

Select Inputs		Data Inputs				Strobe	Output
B	A	C0	C1	C2	C3	G	Y
X	X	X	X	X	X	H	L
L	L	L	X	X	X	L	L
L	L	H	X	X	X	L	H
L	H	X	L	X	X	L	L
L	H	X	H	X	X	L	H
H	L	X	X	L	X	L	L
H	L	X	X	H	X	L	H
H	H	X	X	X	L	L	L
H	H	X	X	X	H	L	H

Select inputs A and B are common to both sections.

H = High Level, L = Low Level, X = Don't Care